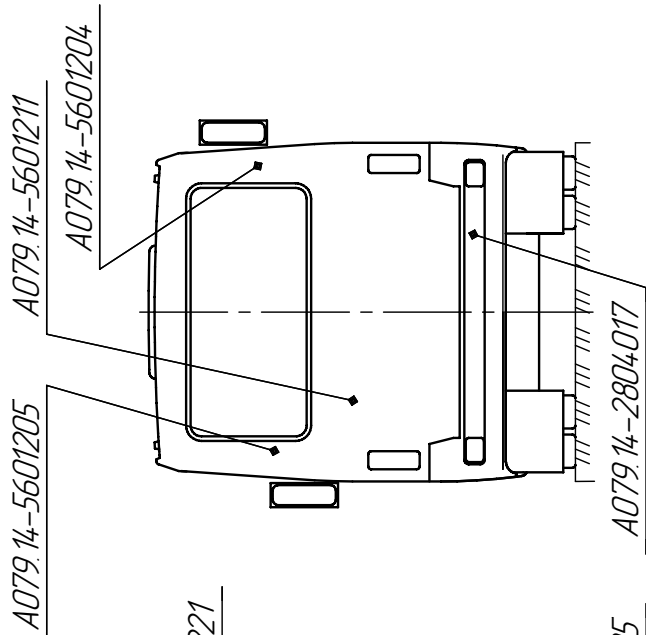
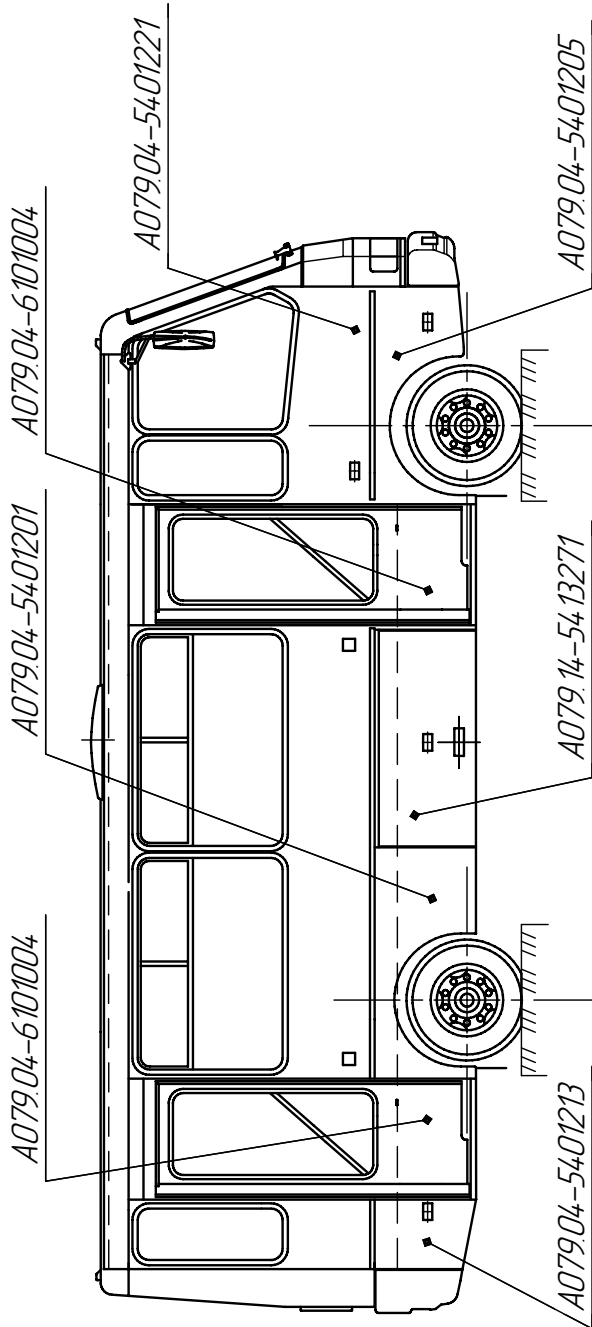
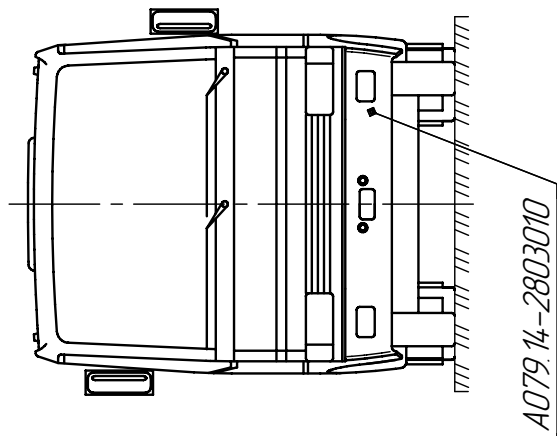
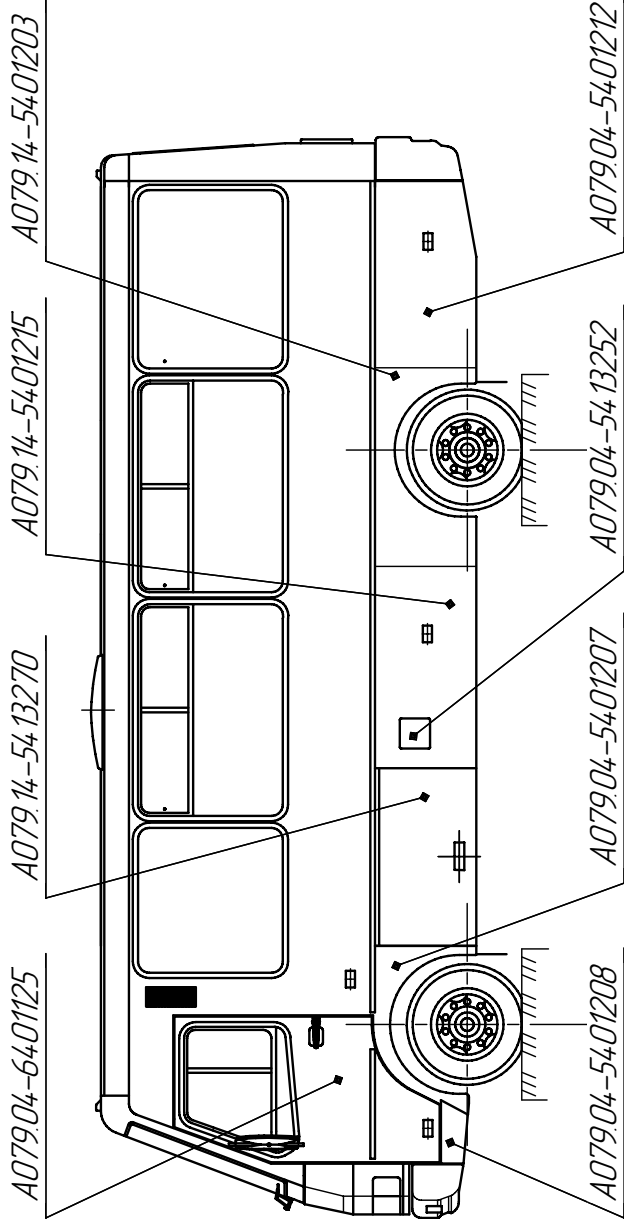
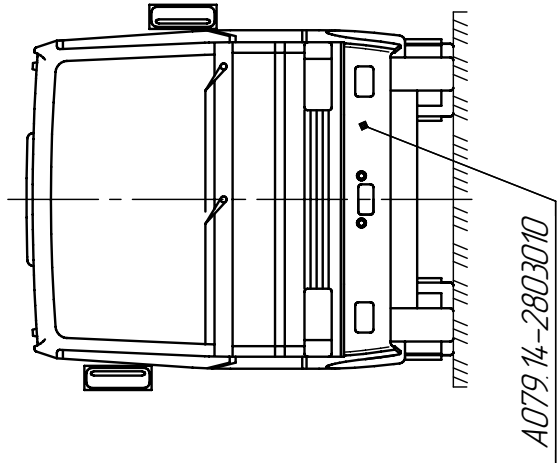
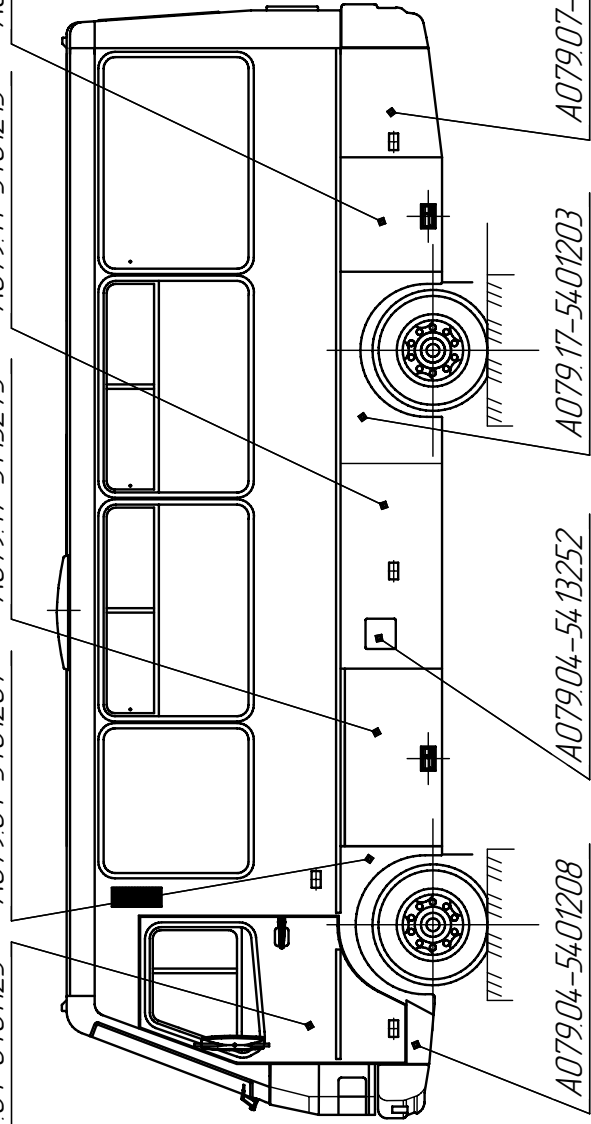


5A3-A079.14



БА3-А079.17

А079.04-64.0125    А079.04-54.01207    А079.17-54.13273    А079.14-54.01215    А079.23-54.13270



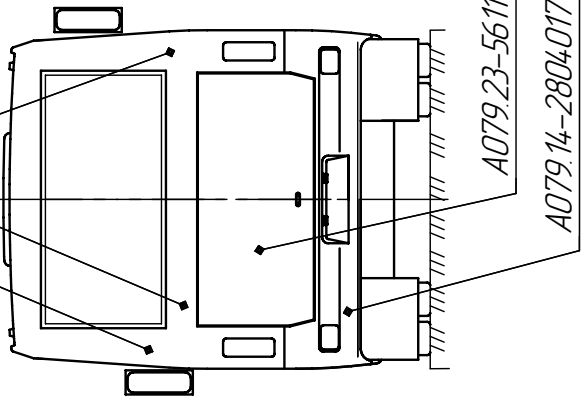
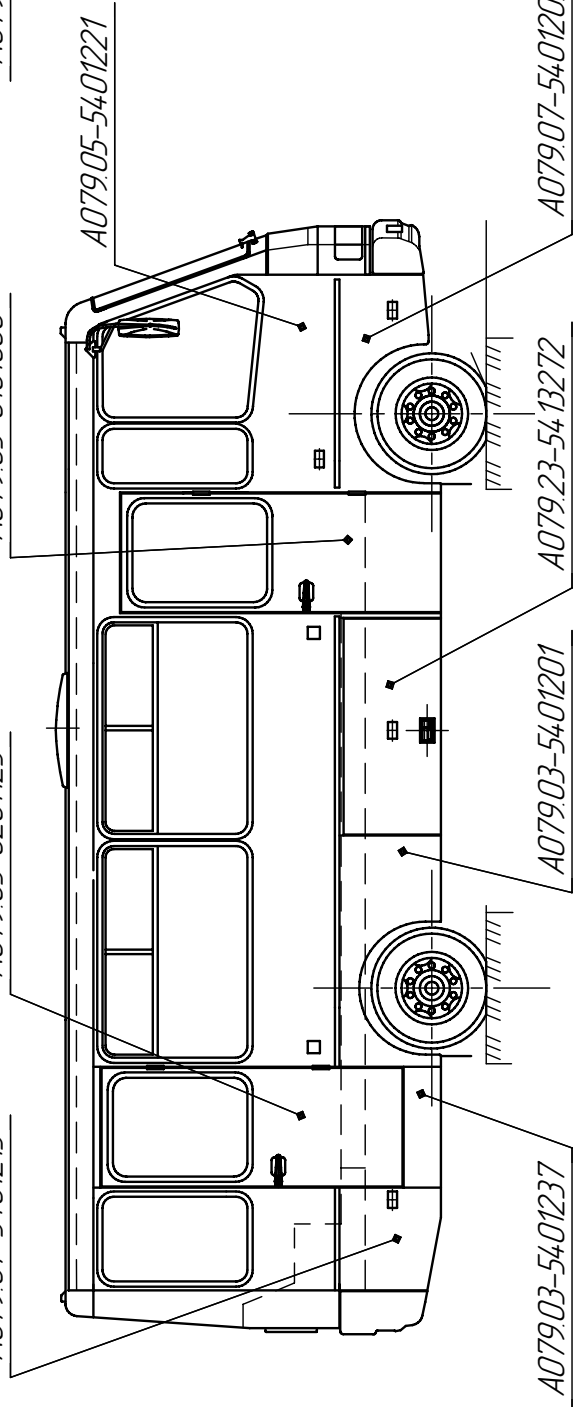
А079.07-56.01211    А079.17-56.01204

А079.17-56.01205

А079.05-61.01060

А079.03-62.01125

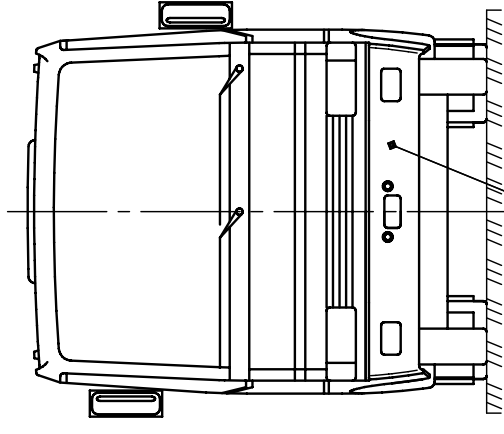
А079.07-54.01213



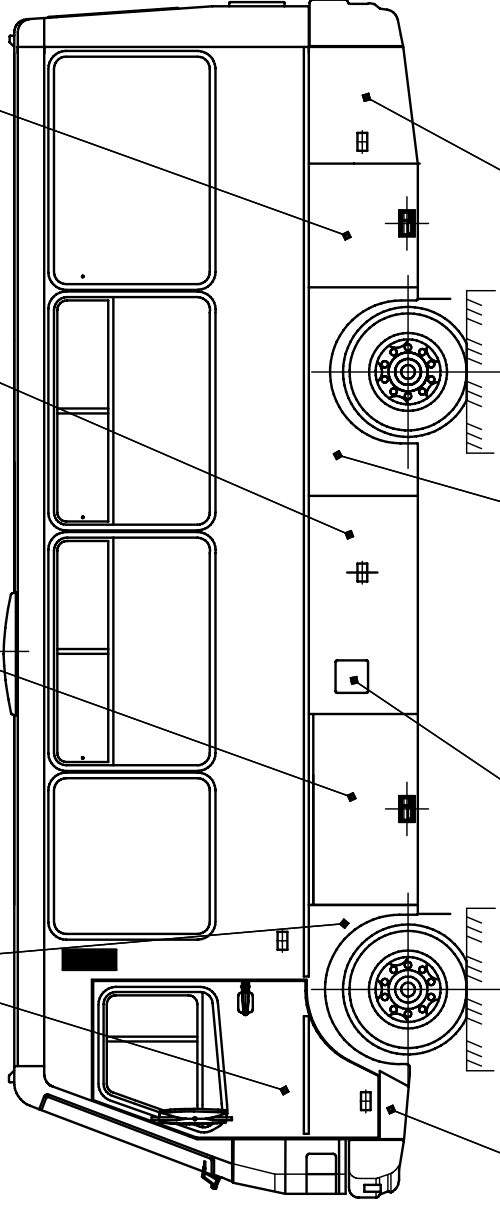
А079.03-54.01237

БА3-А079.19

А079.04-64.01125 А079.04-54.01207 А079.17-54.13273 А079.14-54.01215 А079.23-54.13270



А079.14-2803010



А079.04-54.01208

А079.04-54.13252

А079.17-54.01203

А079.07-54.01212

А079.17-5601205

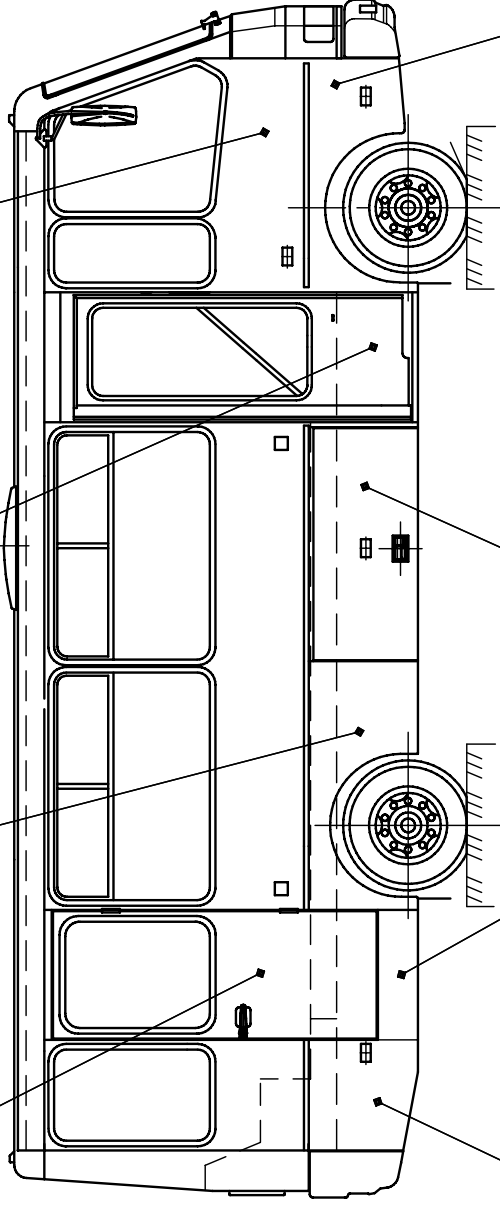
А079.07-5601211

А079.03-62.01125

А079.03-54.01201

А079.04-61.01004

А079.04-54.01221

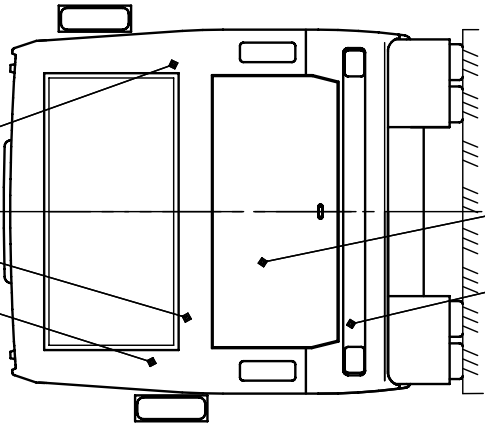


А079.07-54.01213

А079.03-54.01237

А079.23-54.13272

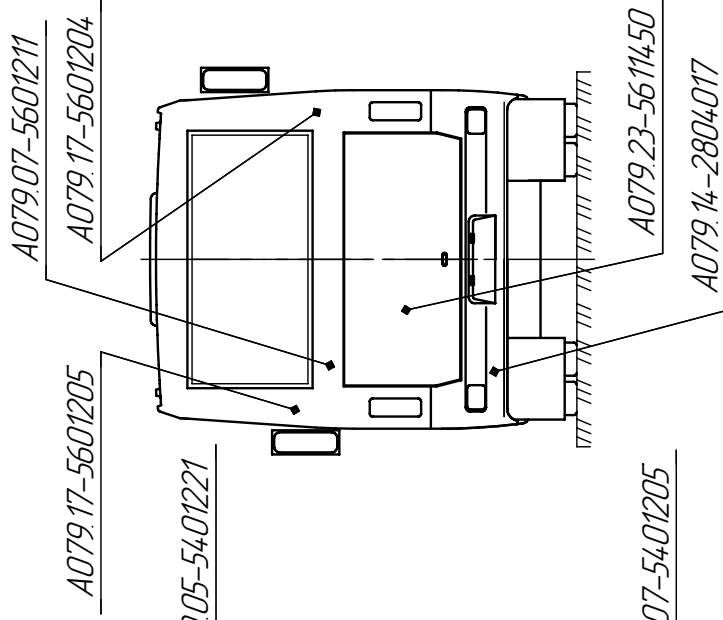
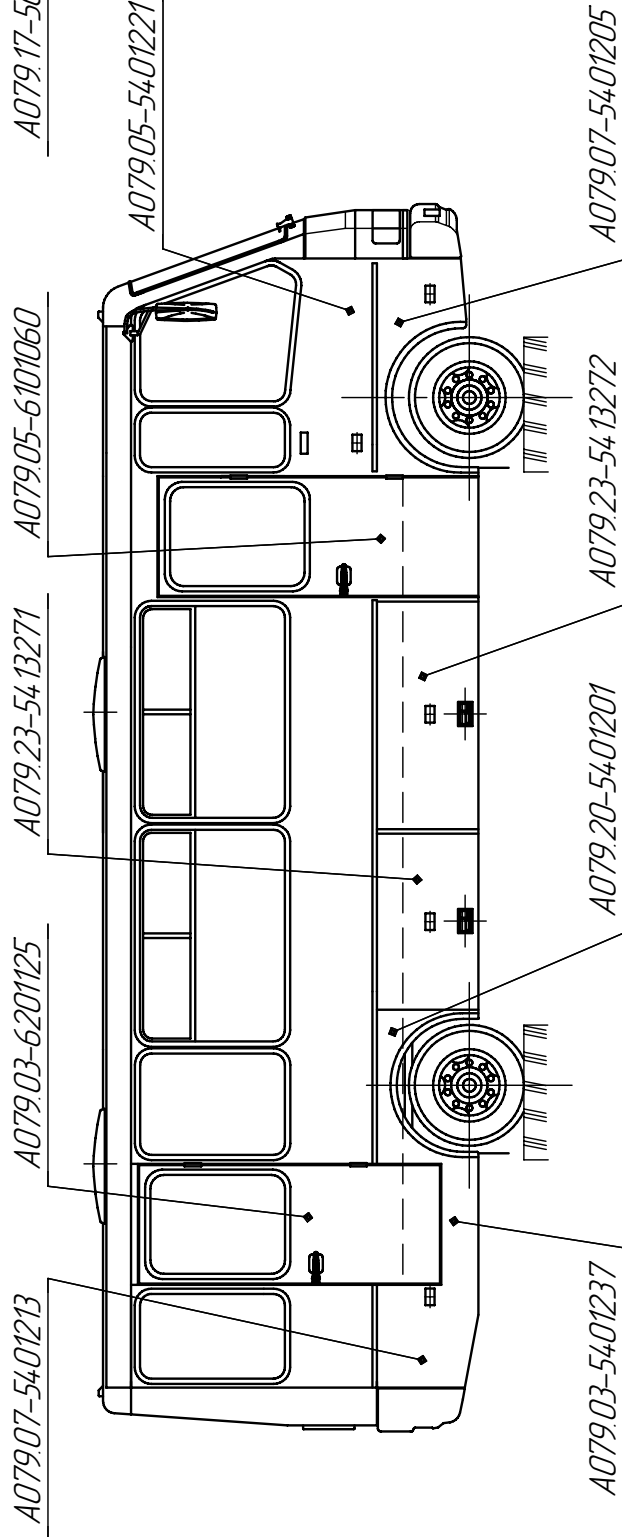
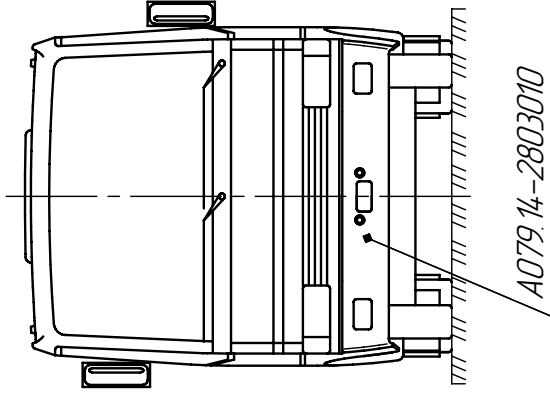
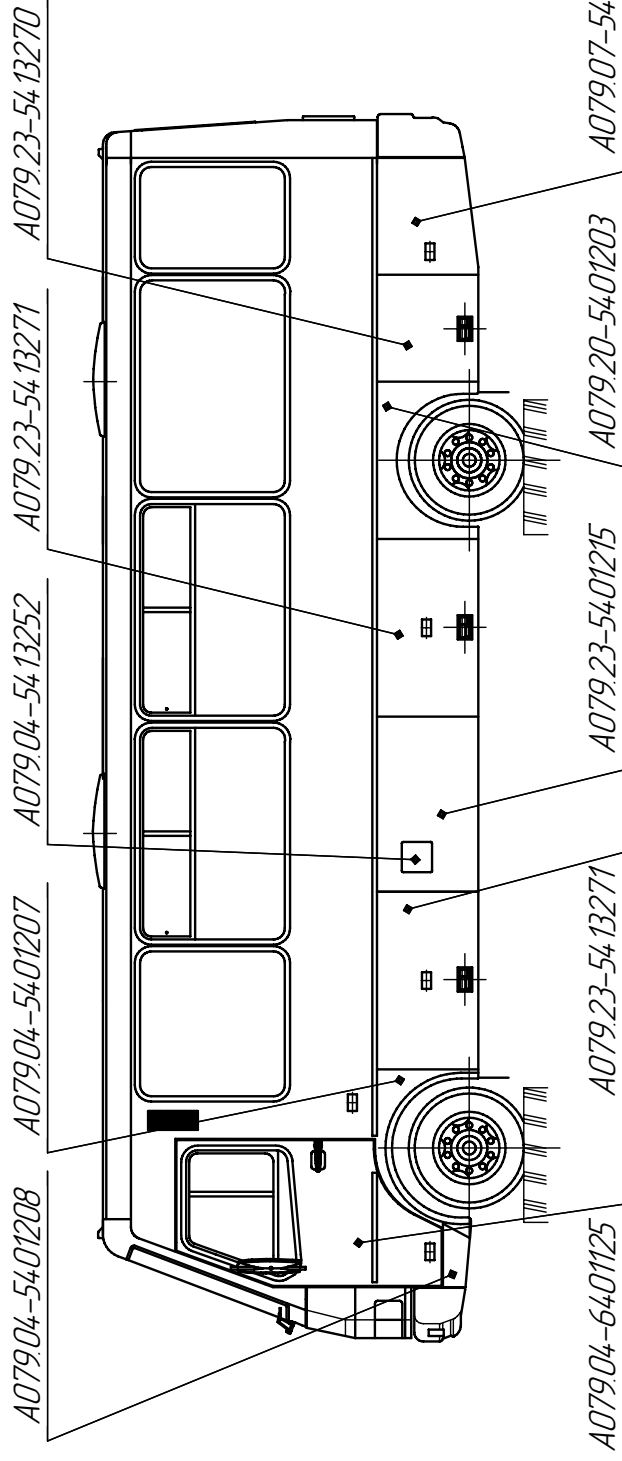
А079.04-54.01205



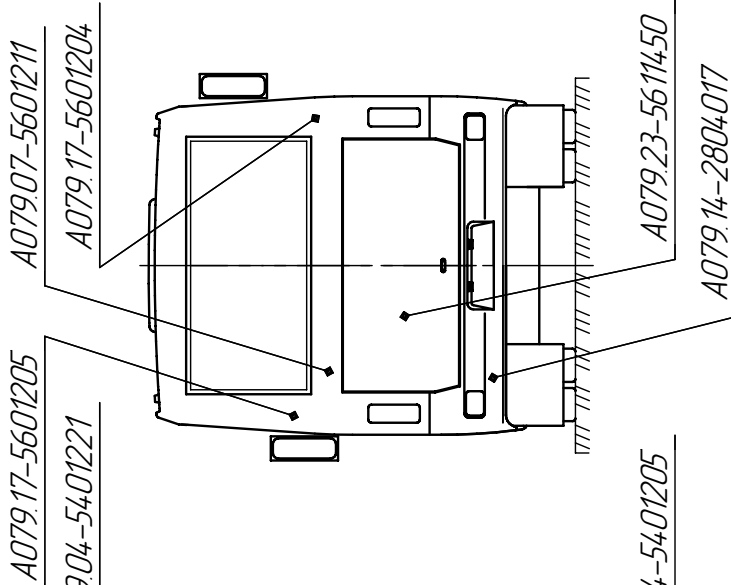
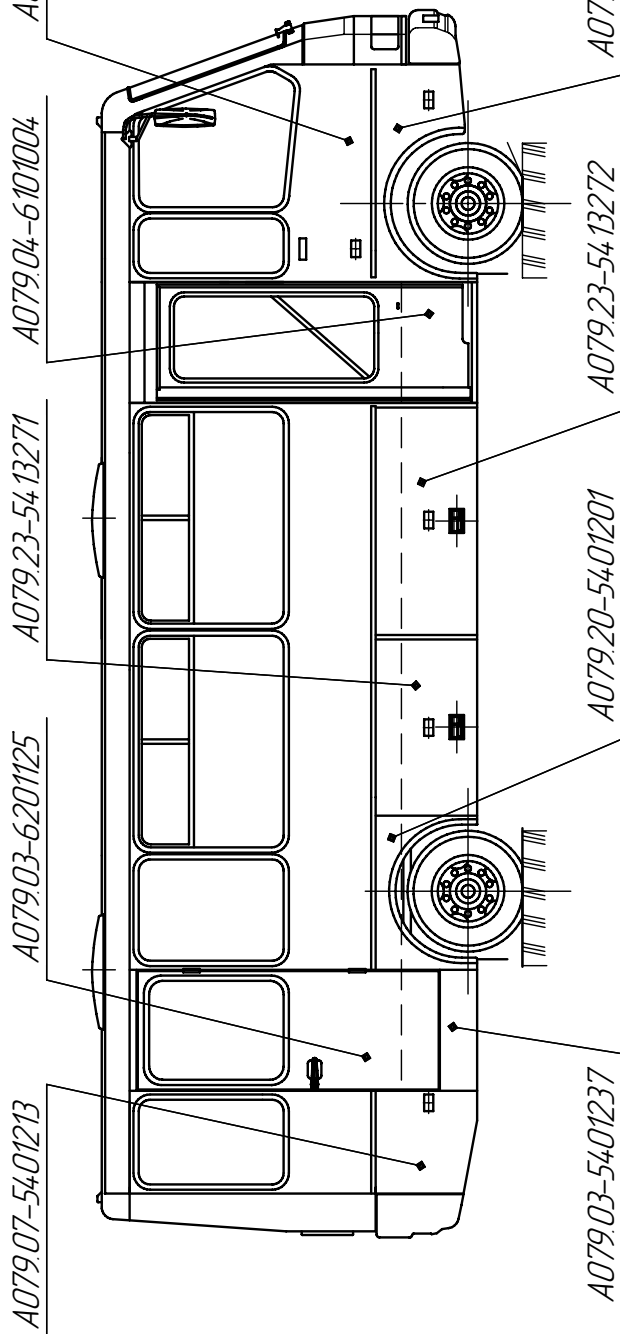
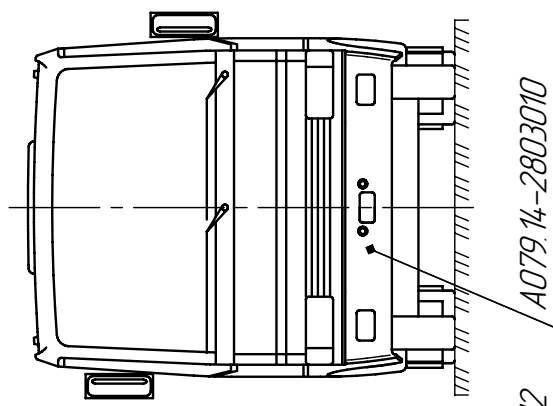
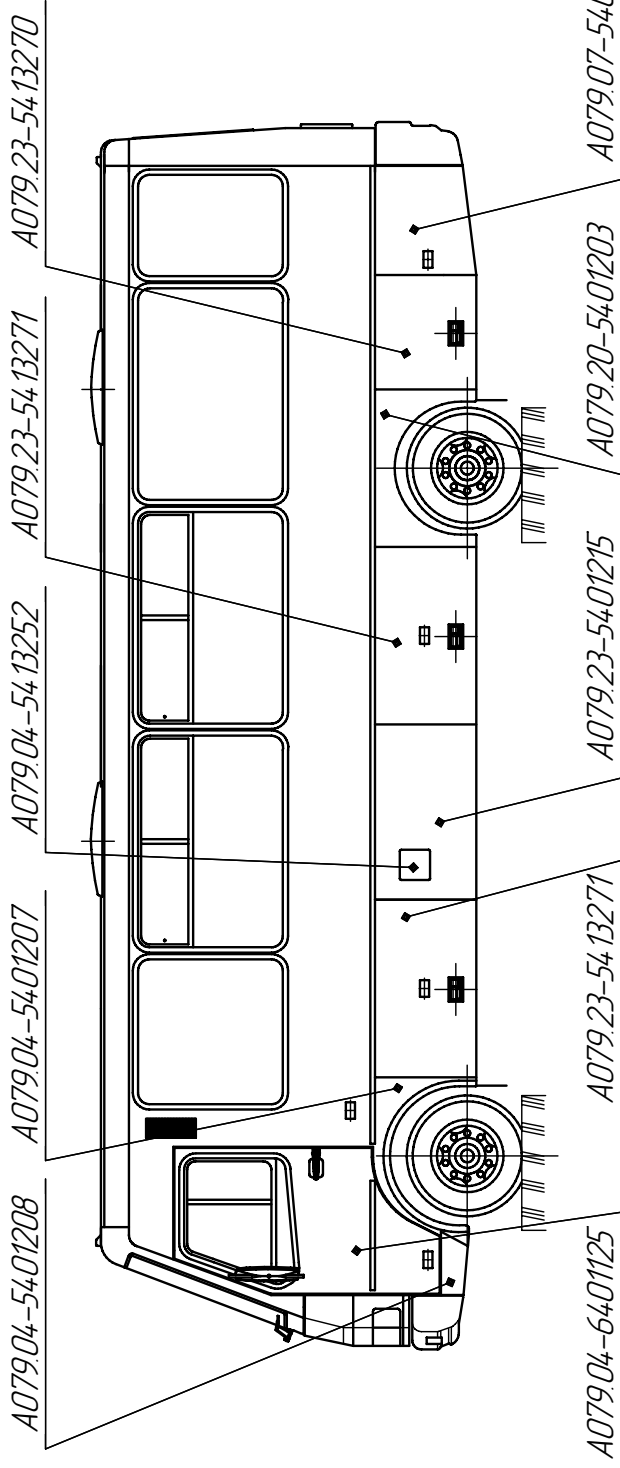
А079.23-56.11450

А079.14-2804017

БА3-А079.23



БА3-А079.24



5A3-A079.25

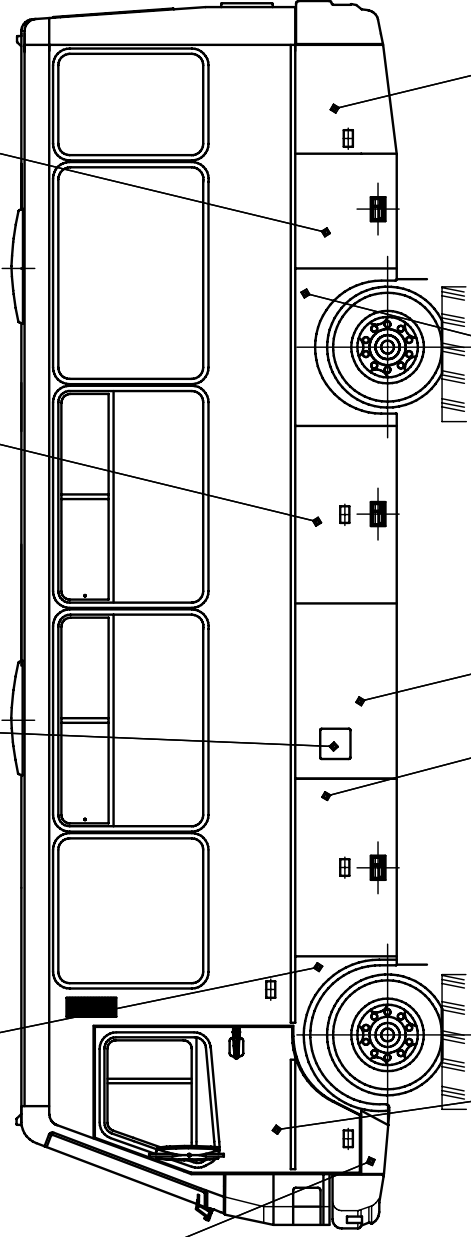
A079.23-54.13270

A079.23-54.13271

A079.04-54.13252

A079.04-54.01207

A079.04-54.01208



A079.04-64.01125

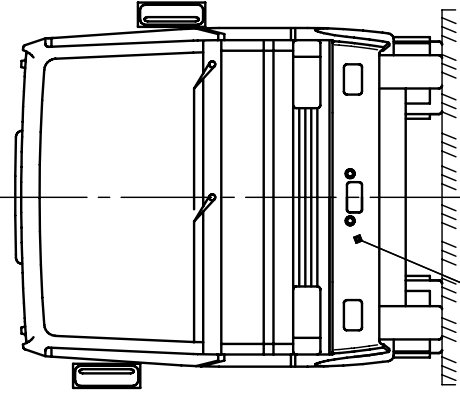
A079.23-54.13271

A079.23-54.01215

A079.20-54.01203

A079.07-54.01212

A079.14-2803010



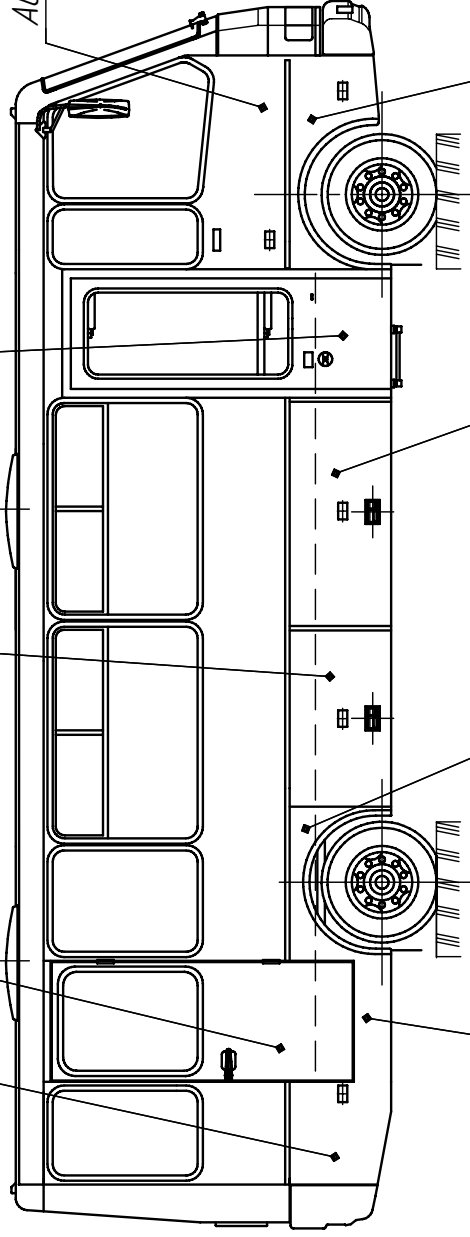
A079.17-56.01205

A079.25-6.101004

A079.23-54.13271

A079.03-62.01125

A079.07-54.01213



A079.03-54.01237

A079.20-54.01201

A079.23-54.13272

A079.07-54.01205

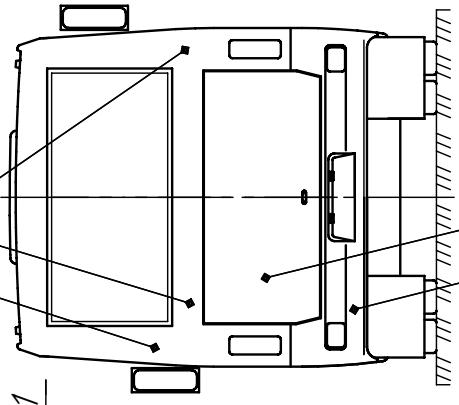
A079.25-54.01221

A079.17-56.01205

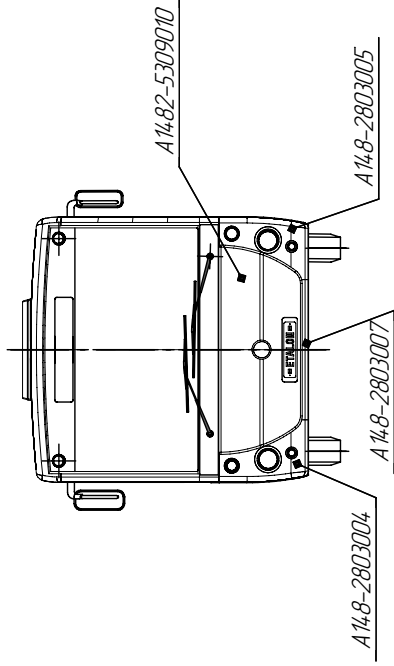
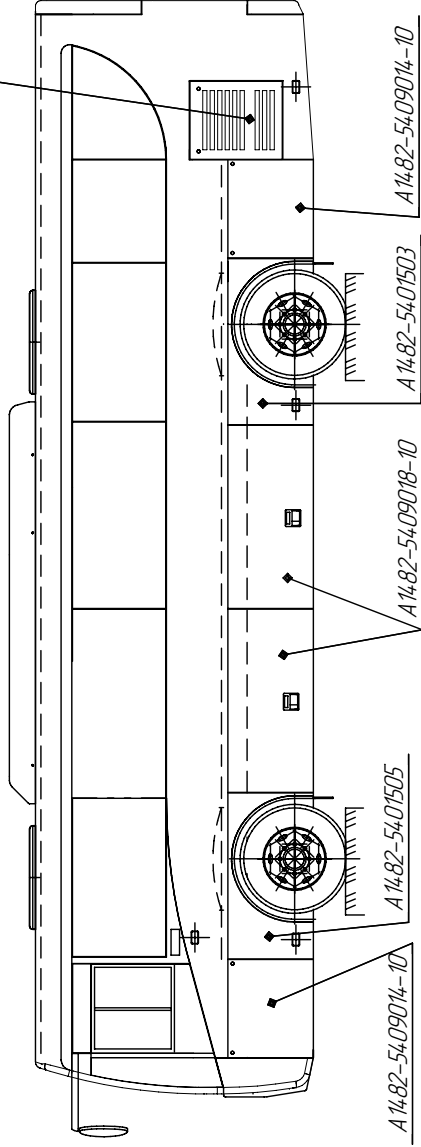
A079.17-56.01204

A079.23-56.11450

A079.14-2804017



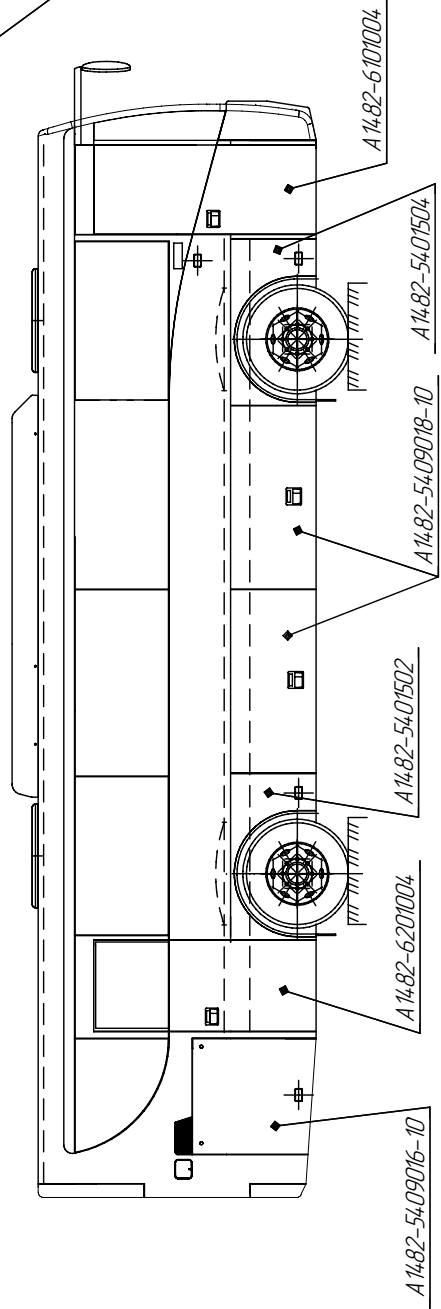
A148-5411020



A148-5601203

A148-5701200

A148-5601202



A1482-5611450

A148-2804005